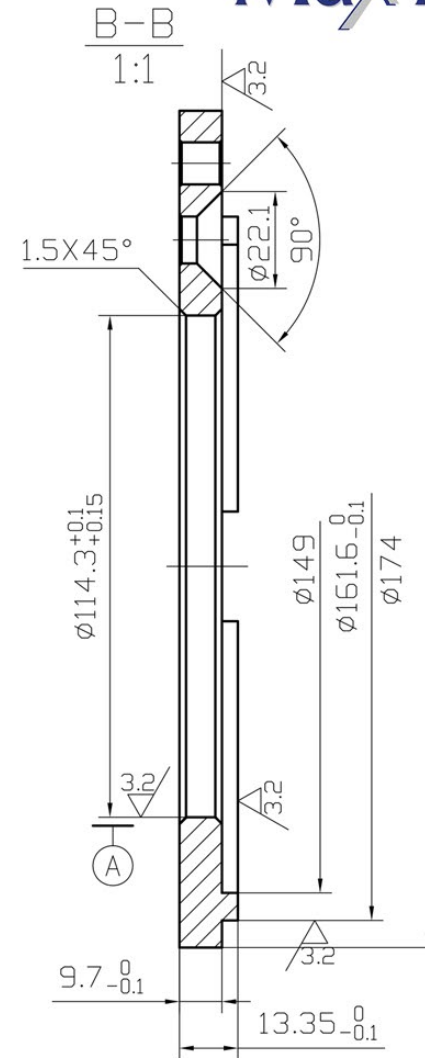
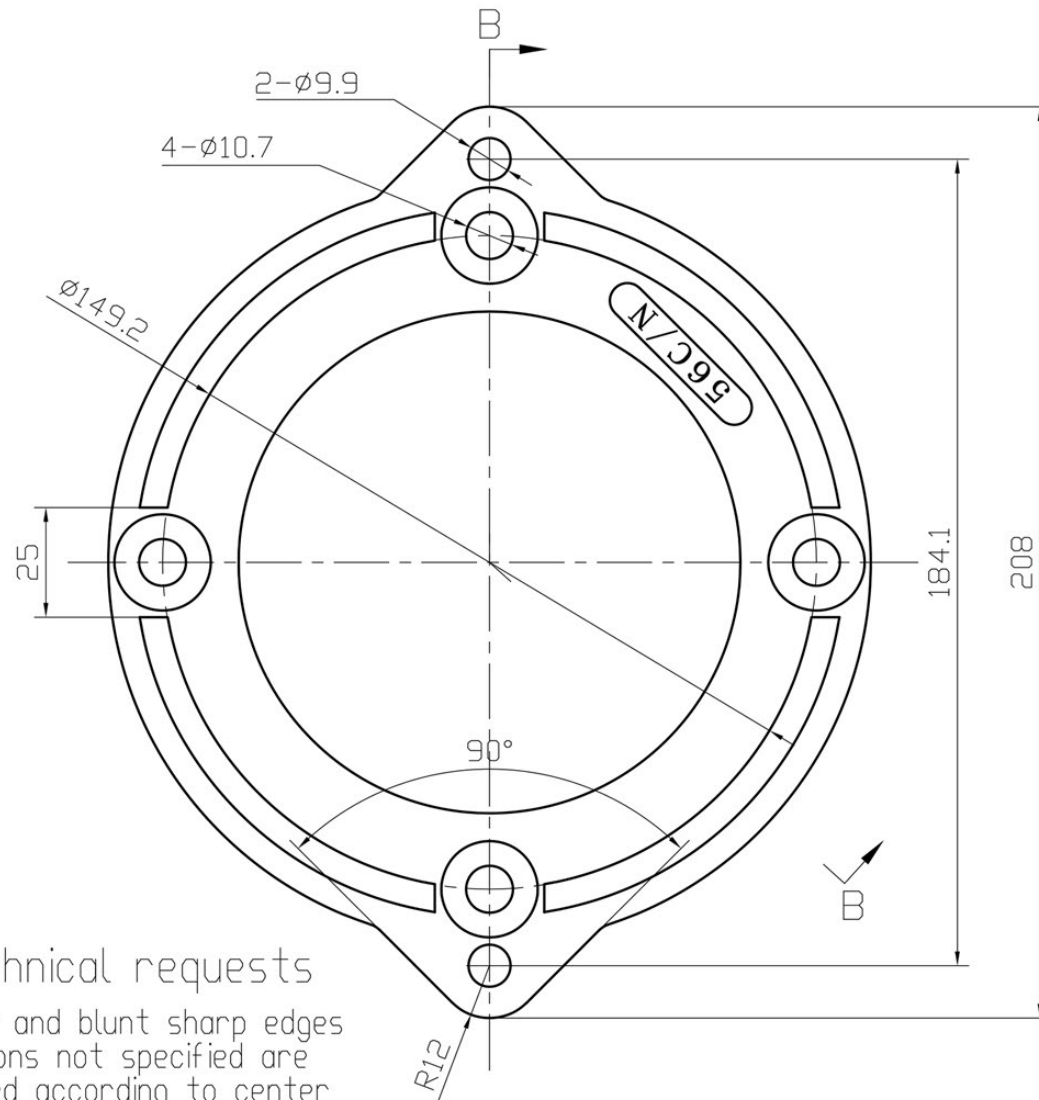


MTR-124FDCH

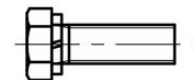
| | | | | | |
|---|--------------------|-----|------|-------|-----------|
| Version:2HUA | Revised: July 2020 | HP | RPM | FRAME | ENCLOSURE |
| Customer is responsible in determining that MaxMotion product will fit/perform suitably in the intended application | | 1/2 | 1800 | 56C | TEFC |



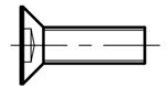
technical requests

debur and blunt sharp edges
 dimensions not specified are
 machined according to center
 symmetry

ITEM #:56C/N



5/16-18UNCx1-1/4
 With Spring Washer Galvanized
 2 PCS



3/8-16UNCx1
 Blackening
 4 PCS